

4 CHANNEL SURVEILLANCE DVR

WITH MOTION DETECTION AND AUDIO RECORDING



The L104 series offers excellent performance at a value price. This small form (9x12x2") Surveillance DVR provides real time recording in quad mode, single channel audio recording and motion detection - scheduled - continuous mode recording. The L104 also has a remote controller and password protection. In addition the L104 'V' model provides optional VGA output for display on PC monitors.

FEATURES

- Small (9x12x2") discrete size
- Easy set up and operation
- MJPEG video compression
- Display camera images in Single or Quad mode
- Programmable recording by mode and schedule
- Remote Controller included
- PC Link software included



OFFICE



RETAIL



BANKS



WAREHOUSE



REAL TIME
120 fps
RECORDING



 **LOREX**[®]

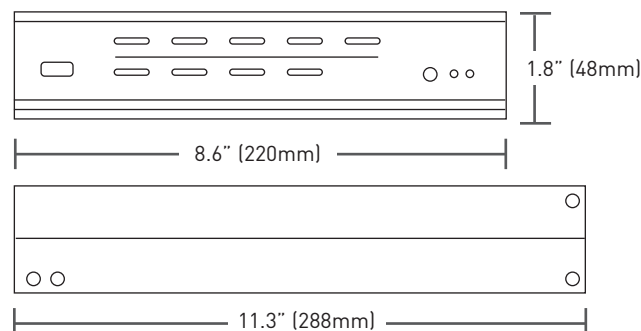
4 CHANNEL SURVEILLANCE DVR

WITH MOTION DETECTION AND AUDIO RECORDING

SPECIFICATIONS

Video Input channels	4-channel composite (BNC) NTSC/PAL	
Video Output channel	Composite (BNC) / (VGA optional "V" model)	
Display frame rate	NTSC	120 fps (4x30 fps)
	PAL	100 fps (4x25 fps)
Record frame rate (QUAD mode)	NTSC	Max . 30 fps
	PAL	Max. 25 fps
Recording frame rate (individual mode)	NTSC	Max. 7.5fps(30 fps/4)
	PAL	Max. 6.25fps(25 fps/4)
Recording Modes	Motion / Continuous / Scheduled	
Resolution Display	NTSC	720x480
	PAL	720 x 576
Resolution Recording	NTSC	640x224
	PAL	640x272
MJPEG Compression Format	Low	12K Bytes / Frame
	Normal	15K Bytes / Frame
	High	20K Bytes / Frame
Audio Function	Audio Input/Output : Real Time Recording And Playing	
HDD capacity	Maximum 1-500GBHD	
Backup Device	VCR / USB PC-Link (USB cable connection to computer / PC application)	
Search Mode	Time / Date / Event	
VGA output (optional)	Yes (optional) 640x480, 800x600, 1024x768, 1280x1024 resolution	
System recovery	Power recovery, auto restore, record mode	
Power supply	DC 12V / 4A(AC110V-240V 50/60HZ)	
Dimension (unit)	8.6"[220mm] x 11.3"[288mm] x 1.8"[48mm] (W x D x H)	
Weight	3.4lbs (1.5kg)	

DIMENSIONS



BACK PANEL CONNECTIONS



L104V (optional)

CONFIGURATIONS

L104161	-160 GBHD	7-78597-41611-4
L104251	-250GBHD	7-78597-41615-2
L104V161 with VGA output and 160GBHD		7-78597-41610-7
L104V161P with VGA output and 160GBHD - PAL version		7-78597-04161-3
L104V251 with VGA output and 250GBHD		7-78597-41617-6
L104161F Universal Package with 160GBHD		7-78597-41621-3
L104V161F Universal Package with VGA output and 160GBHD		7-78597-41622-0

PRODUCT INFORMATION

Model #:	L104 Series
Description:	4 channel Surveillance DVR
Package Dimensions:	388mm w x 338mm h x 89mm d 15.3" w x 13.0" h x 5.5" d
Package Weight:	4.5 kg / 10 lbs

LOREX TECHNOLOGY INC.

300 Alden Road, Markham,
Ontario L3R 4C1
Canada

3700 Koppers Street
Baltimore, Maryland 21227,
USA

©2008 Lorex Technology Inc.
As our product is subject to continuous improvement, Lorex Technology & subsidiaries reserve the right to modify product design, specifications & prices without notice and without incurring any obligation. E&OE